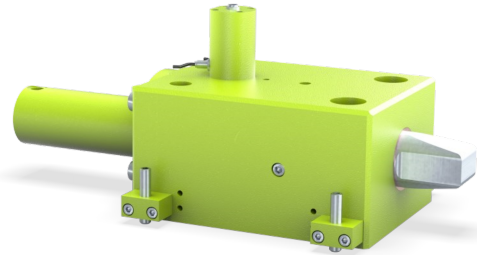
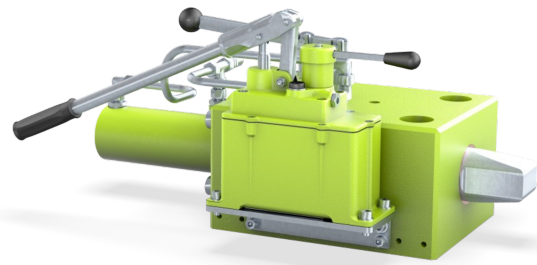


## Hydraulically or manual operated locking devices

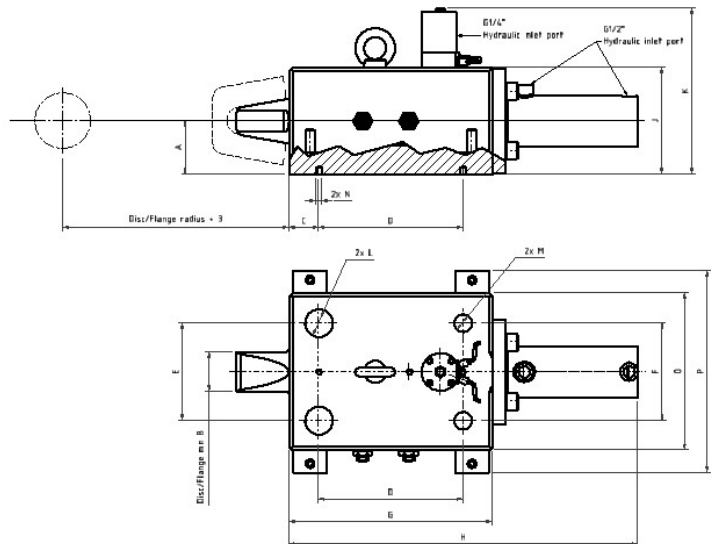
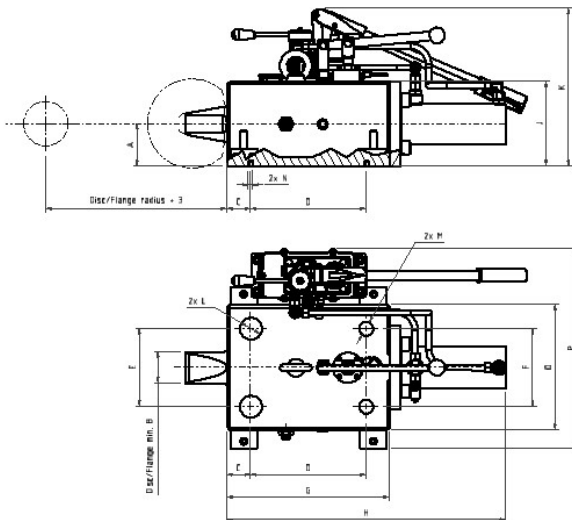
The Dellner Bubenzer locking devices (LM) are fail safe, and are used to mechanically lock a shaft, which allows for safe maintenance procedures to be conducted on or around the entire shaft line arrangement.

The LM devices series have a specially designed tapered pawl that is engaged, either manually-hydraulic (Hand Pump) or by hydraulic pressure (external supply), into a machined slot on the outer peripheral of a brake disc or a shaft flange. The LM devices are equipped with proximity switches for ON/OFF detection (standard).

The LM series offering Locking force ranging from 125 kN up to 1000 kN and optional operational possibilities and accessories (e.g. electrical and lock out function).



Model	Locking force [kN]	Min. hydraulic pressure [bar]	Max. hydraulic pressure [bar]	Weight [kg]
LM 70-H / LM 70-M	750	75/-	200/-	163/173
LM 95-H / LM 95-M	1000	130/-	200/-	232/242



Model	A	B	C	D	E	F	G	H	J	K	L	M	N	O	P
LM 70-H / LM 70-M	95	75	53	257	174	174	363	622	190	297/ 352	52	52	Ø8	280	360/ 445
LM 95-H / LM 95-M	115	95	58	276	200	188	396	655	230	337/ 381	55	39	Ø8	316	396/ 481